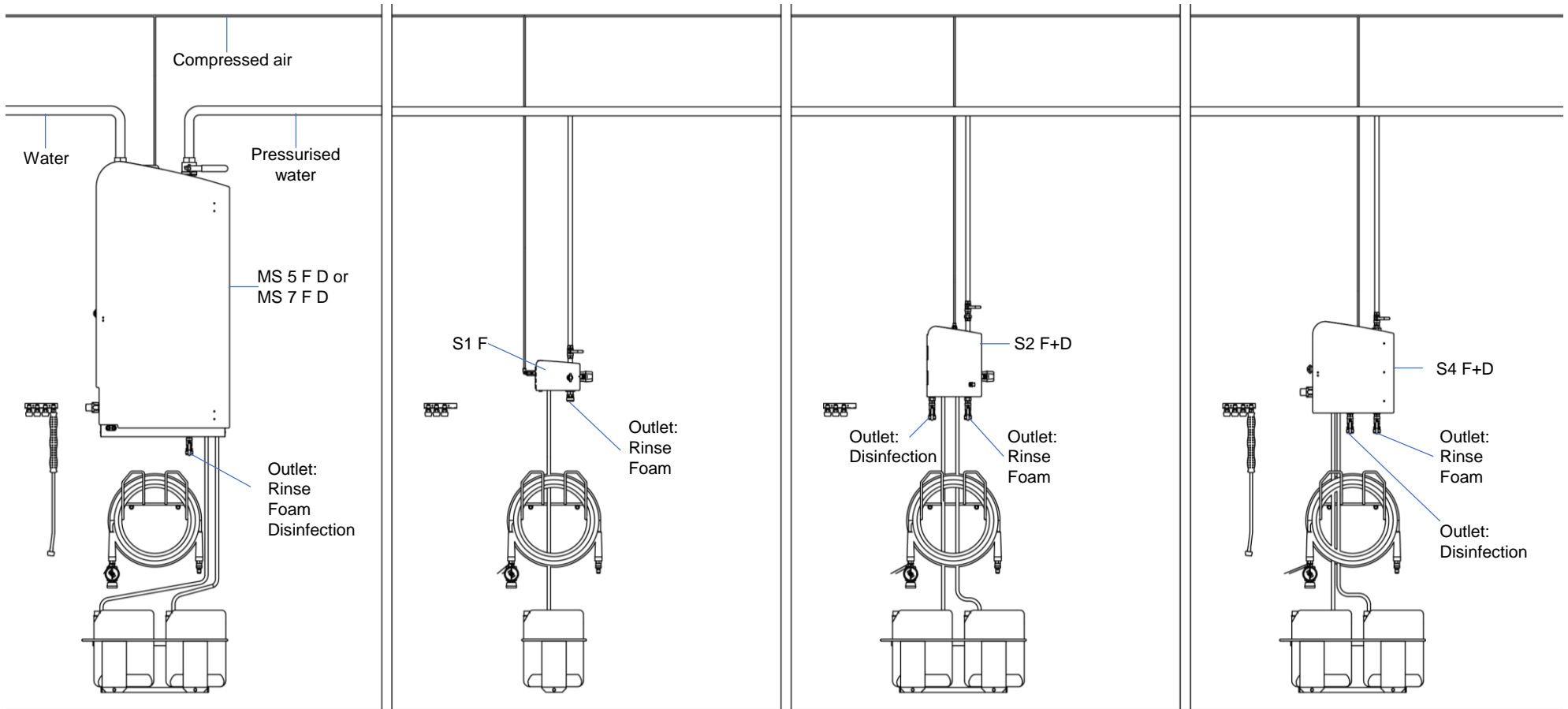


Decentral installation



Main Station is also connected to current.